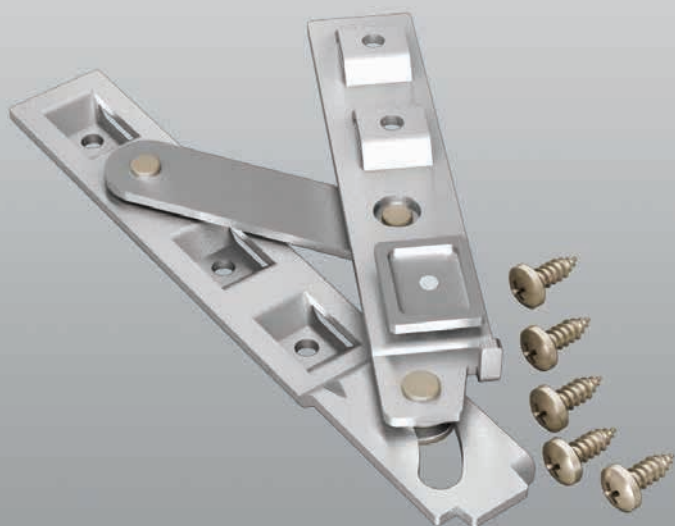


## KLEM Hinges for bottom and top hung casement

### DESCRIPTION:

Pair of hinge and 4 countersunk head screws  $\varnothing 4.8 \times 13$  in stainless steel. Weight capacity: 2 hinges 30 Kg for bottom hung casement; 80 Kg for top hung casement opening out.

**Package:** 10 pcs.



1170.40

## TECHNICAL DRAWINGS

1170.40

